



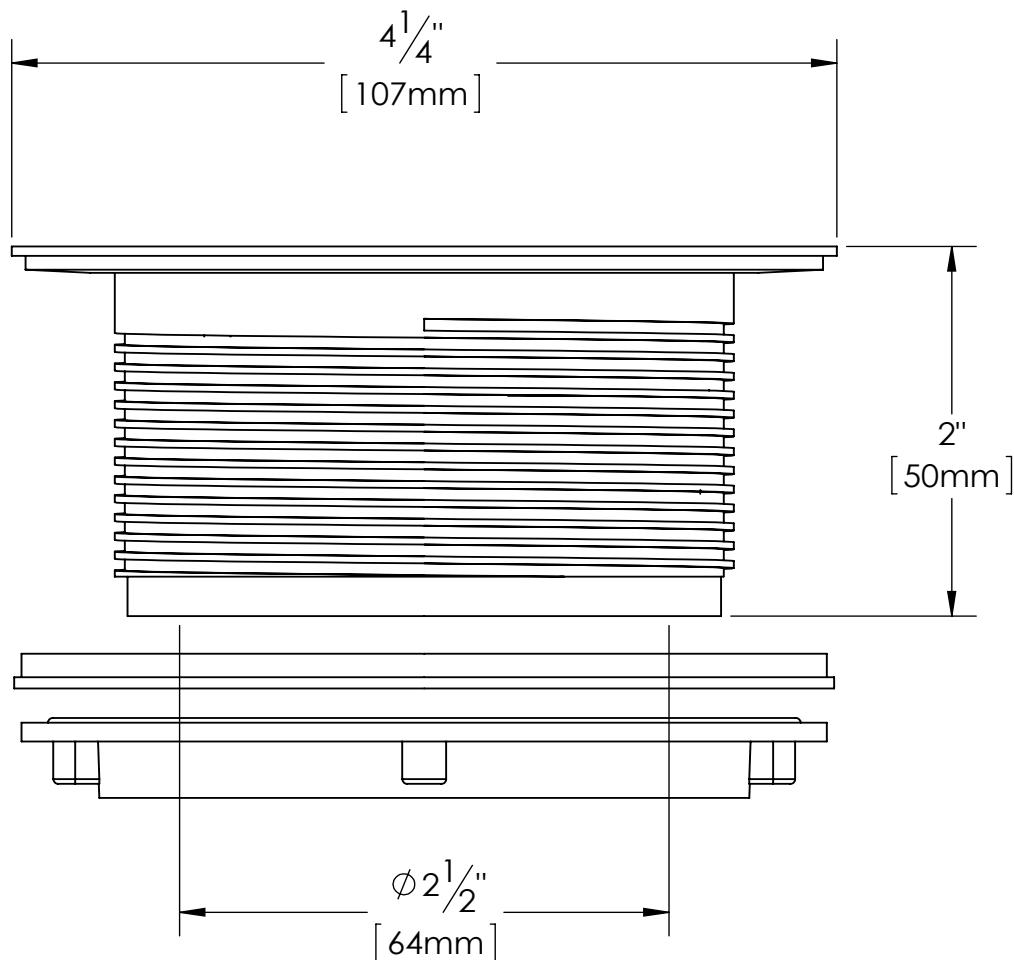
SD12

PVC SHOWER DRAIN - FOR USE WITH MOLDED BASE

Description:

SHOWER DRAIN SHALL BE 2" PVC FOR MOLDED SHOWER BASES, ROUND 4-1/4" STAINLESS STEEL SNAP-IN GRATE, NO-CAULK INSTALLATION (RIBBED GASKET COMPRESSES AND SEALS AROUND 2" ABS, PVC OR CAST IRON SCHEDULE 40 DWV PIPE. NOT FOR USE WITH 2" COPPER DWV PIPE), CERTIFIED BY CSA

Certification



Oakville Stamping and Bending Ltd.

2200 Speers Road, Unit C. Oakville, ON. Canada. L6L 2X8.

T. 905.827.0320 or toll free 1.877.314.6040 F. 905.827.6375 or toll free 1.877.827.6040.

All rights reserved. OS&B™ reserves the right to change product specifications and material or discontinue models without notice.

www.osb.ca (Canada) www.osbplumbing.com (USA)