



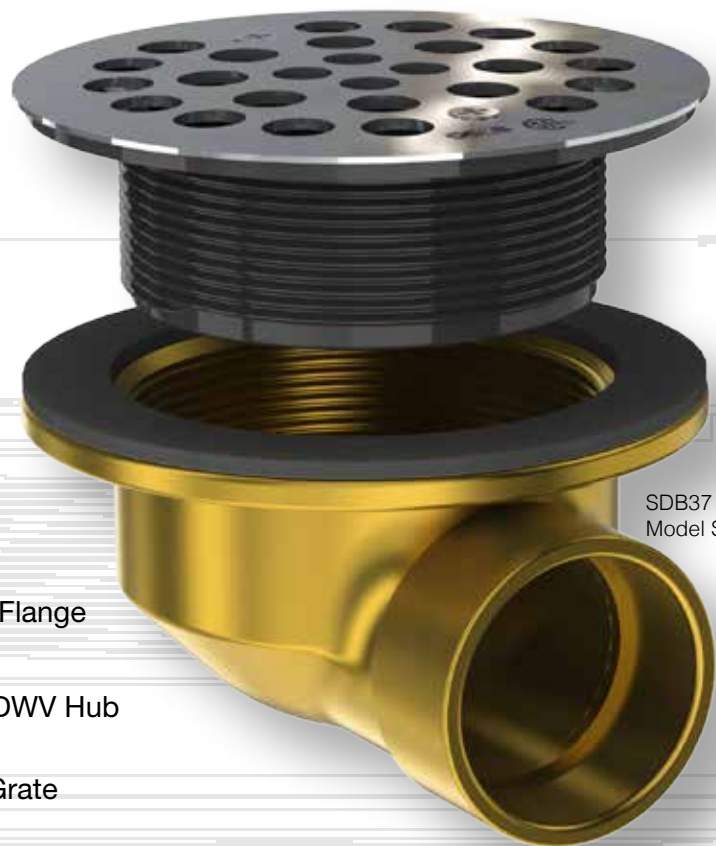
# PRODUCT BULLETIN

## SDB37/2 Side Discharge Shower Drains for preformed shower bases

**Convert a bathtub to a walk-in shower with a preformed base?  
No Problem.**

Now available in 1-1/2" (SDB37) and 2" (SDB37-2) versions, our Low Profile Side Discharge Shower Drains for preformed shower bases will save you time and money by eliminating the need to break up concrete floors.

**Your job just got a lot easier.**



SDB37 1-1/2"  
Model Shown

### Features

- Low profile ABS round thread-in Flange
- Cast Brass Body
- 1-1/2" (SDB37) or 2" (SDB37-2) DWV Hub Connection
- 4-1/4" Screw-in Stainless Steel Grate
- CSA Certified

# PRODUCT BULLETIN

## SDB37/2 Low Profile Side Discharge Shower Drains for preformed shower bases

### Includes

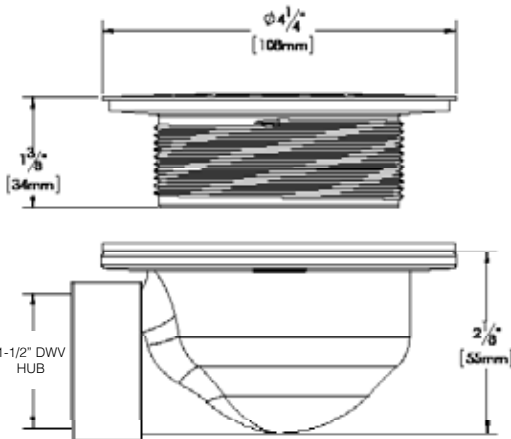
- Low profile ABS Round thread-in Flange
- Cast Brass Body
- Rubber Gasket
- Fibre Slip Washer
- 4-1/4" Screw-in Stainless Steel Grate



Certification



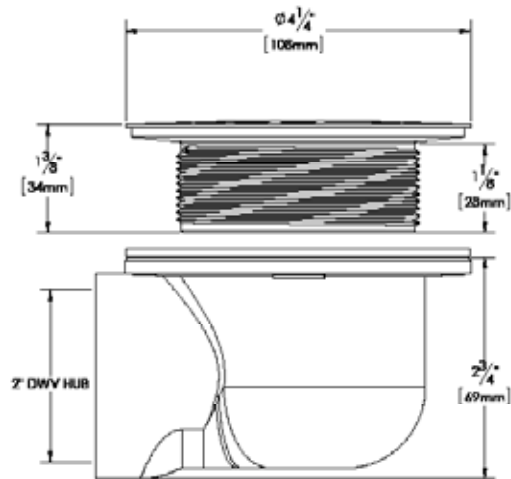
SDB37 (1-1/2")



Certification



SDB37-2 (2")



Finish



SS  
Stainless Steel

ITEM #	DESCRIPTION	FINISH
SDB37	BRASS 1-1/2" SIDE DISCHARGE SHOWER DRAIN FOR USE WITH PREFORMED SHOWER BASES	SS
SDB37-2	BRASS 2" SIDE DISCHARGE SHOWER DRAIN FOR USE WITH PREFORMED SHOWER BASES	SS

FMSDB37/2-1016



Oakville Stamping & Bending Ltd.  
 T: 1.905.827.0320 1.877.314.6040 F: 1.905.827.6375 1.877.827.6040  
[www.osb.ca](http://www.osb.ca) (Canada) [www.osbplumbing.com](http://www.osbplumbing.com) (USA)