



**TESTABLE**

### Testing made quicker. Cleaner. Safer.

Introducing our new SD35T (ABS) or SD5135T (white PVC) Series Testable Shower Drains for Preformed Shower bases. Featuring a convenient Snap-off Test Cap - now you can air test from below and water test from above.

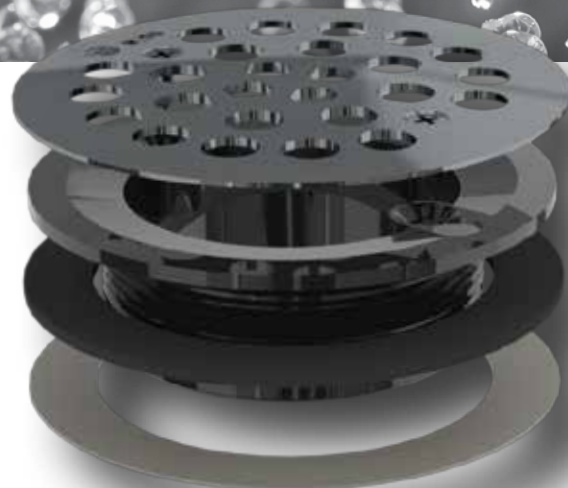
Your job just got easier.™

### Features

- Snap-off Test Cap (convenient plier breakoff)
- Available in ABS (SD35T-XX) or white PVC (SD5135T-XX) Body with 2" DWV Hub Connection
- 4-1/4" Screw-in Grate
- Thread-in Flange

### Benefits

- Saves valuable installation time. Allows for air testing from below or water testing from above
- Tab on Snap-off Test Cap sits higher than the Grate Flange to prevent accidental Grate installation without removal of Test Cap
- Snap-off Test Cap designed not to fall down the drain during removal
- Snap-off Test Cap makes for safe testing (Factory tested to 30psi)



SD35T-SS  
ABS Model  
Shown

# PRODUCT BULLETIN

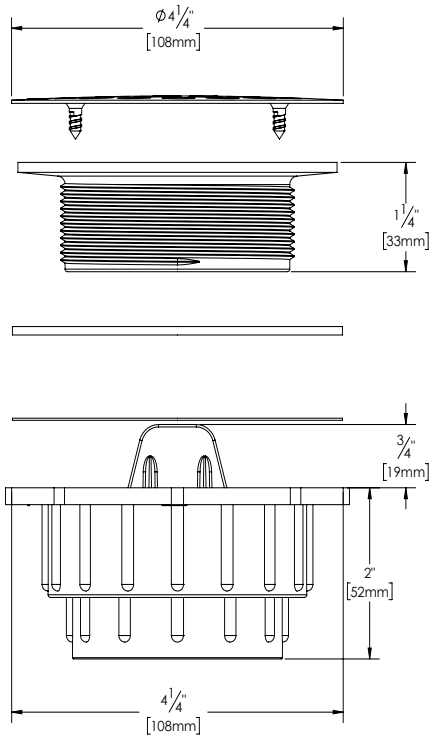
## SD35T/SD5135T Series Testable Shower Drains

### Features

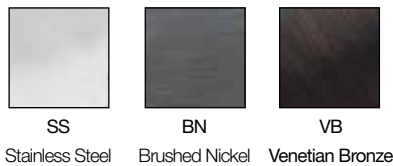
- Snap-off Test Cap (Convenient plier breakoff)
- Available in ABS (SD35T-XX) or white PVC (SD5135T-XX) Body with 2" DWV Hub Connection

### Benefits

- Saves valuable installation time. Allows for air testing from below or water testing from above
- Tab on Snap-off Test Cap sits higher than the Grate Flange\* to prevent accidental Grate installation without removing Test Cap
- Snap-off Test Cap designed not to fall down the drain during removal
- Snap-off Test Cap makes for safe testing (Factory tested to 30psi)



### Finishes



### Certification\*



\*The "cCSAus Meets UPC" mark means the product conforms to the requirements of the NPC, UPC, IPC and IRC.

### Part # Configurator (example: SD35T-SS)

**SD35T-**    
 ABS MODEL      FINISH SUFFIX  
 (1-2 CHARACTERS)

**SD5135T-**    
 PVC MODEL      FINISH SUFFIX  
 (1-2 CHARACTERS)

\*On shower base thickness of 1/2" or less.  
 SD35T/SD5135T is Patent Pending

