



PRODUCT BULLETIN

2" no-caulk brass Shower Drain

Introducing our new SD22 brass Shower Drain for molded shower bases made of fiberglass, acrylic, nylon or metal. Ideal for Slab construction, SD22 features a dependable compression ring for no caulk installations.

The SD22 from OS&B®
- Your job just got a lot easier.



Features

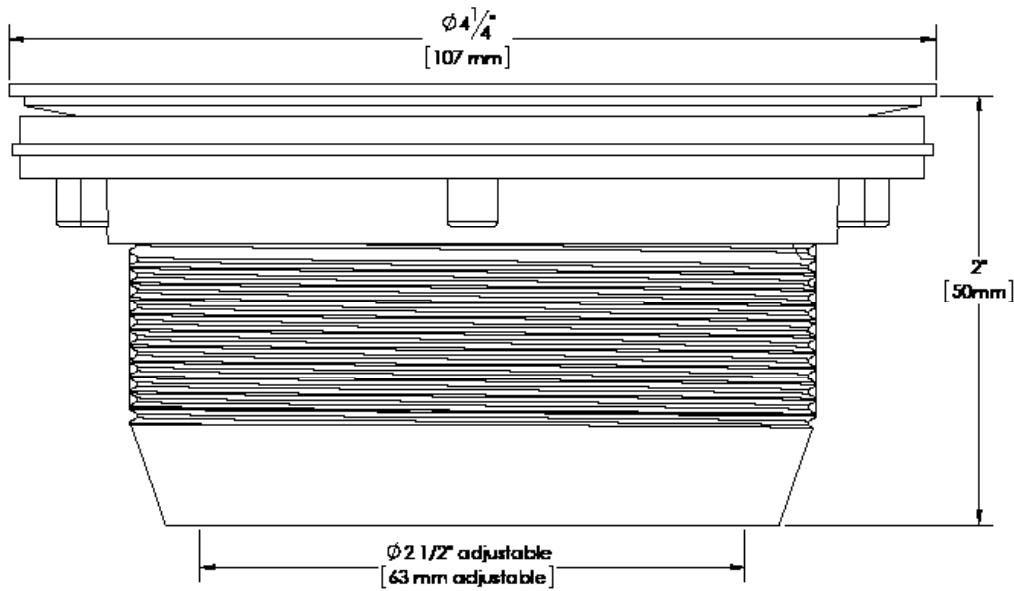
- Cast Brass Drain Body
- 4-1/4" diameter Stainless Steel Grate with Snap-Fit Tabs
- Drain Body attaches to pipe from above
- Ribbed Gasket compresses and seals around a 2" ABS, PVC or Cast Iron Schedule 40 DWV pipe. Not for use with 2" Copper DWV pipe
- Fibre Washer, Rubber Washer, Lock Nut and Tightening Wrench included
- c-UPC Certified

Ø 2 1/2" adjustable
[63 mm adjustable]



PRODUCT BULLETIN

2" no-caulk brass Shower Drain

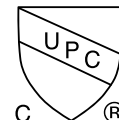


Features

- Cast Brass Drain Body
- 4-1/4" diameter Stainless Steel Grate with Snap-Fit Tabs
- Drain Body attaches to pipe from above
- Ribbed Gasket compresses and seals around a 2" ABS, PVC or Cast Iron Schedule 40 DWV pipe. Not for use with 2" Copper DWV pipe
- Fibre Washer, Rubber Washer, Lock Nut and Tightening Wrench included
- c-UPC Certified

OS&B ITEM	DESCRIPTION	BARCODE 7 75439	FINISH	CTN QTY	LIST PRICE
SD22	2" No-Caulk Brass Shower Drain	06453 3	SS	16	\$42.02

Certification



FMSD22-0315