



INNOVATION that *works...*

No more broken up Concrete.

OS&B® offers a complete selection of Side Discharge Shower Drains giving you more installation options than ever. Gone are the days of having to break up a concrete floor to convert a bath tub to a walk-in shower...

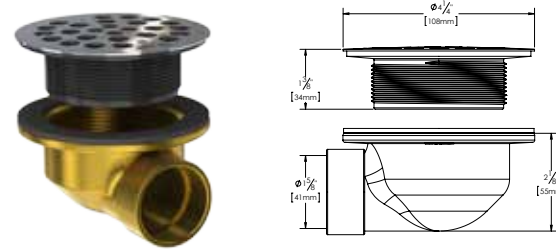
Your job just got a lot easier.

SDB37 2pc 1-1/2" Brass Side Discharge Shower Drain for use with molded Shower Bases

Features

- Low profile ABS round thread-in Flange
- Cast Brass Underbody
- 1-1/2" Copper DWV Hub Connection
- Round 4-1/4" Screw-in Stainless Steel Grate

Certification

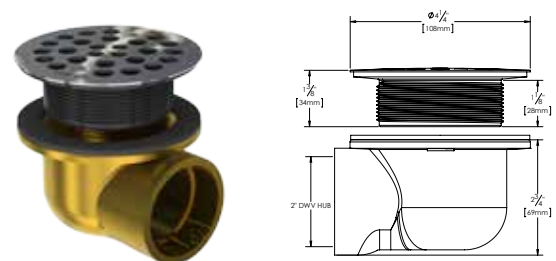


SDB37-2 2pc 2" Brass Side Discharge Shower Drain for use with molded Shower Bases

Features

- Low profile ABS round thread-in Flange
- Cast Brass Underbody
- 2" Copper DWV Hub Connection
- Round 4-1/4" Screw-in Stainless Steel Grate

Certification

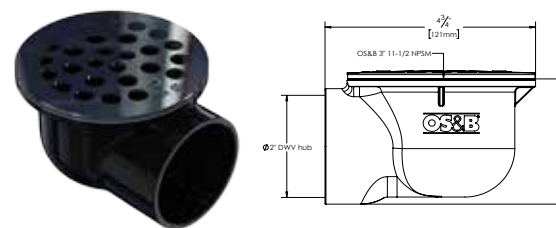


SD353-SS 2pc 2" ABS Side Discharge Shower Drain for use with molded Shower Bases

Features

- Low profile ABS round thread-in Flange
- ABS Underbody
- 2" ABS DWV Hub Connection
- Round 4-1/4" Screw-in Stainless Steel Grate

Certification



Finish



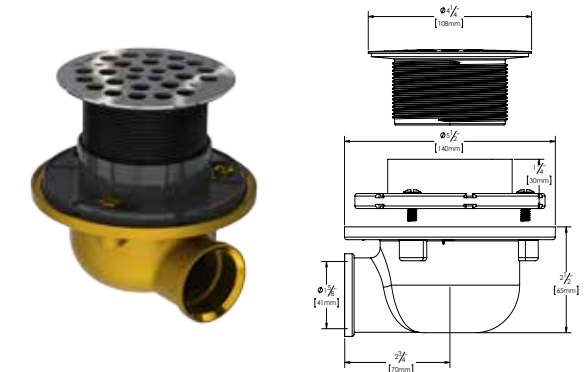
Stainless Steel

SDB47(-BN) 3pc 1-1/2" Round Brass Side Discharge Shower Drain for use with Shower Pan Liner

Features

- Low profile brass Underbody
- Extra-long ABS round Thread-in Flange for deeper installations
- Reversible ABS Clamping Collar allows for increased adjustability (2-1/4" max)
- 1-1/2" Copper DWV Hub Connection
- 3 solid brass Bolts
- Round 4-1/4" Screw-in Polished Stainless Steel (SDB47) or Brushed Nickel (SDB47-BN) Grate

Certification

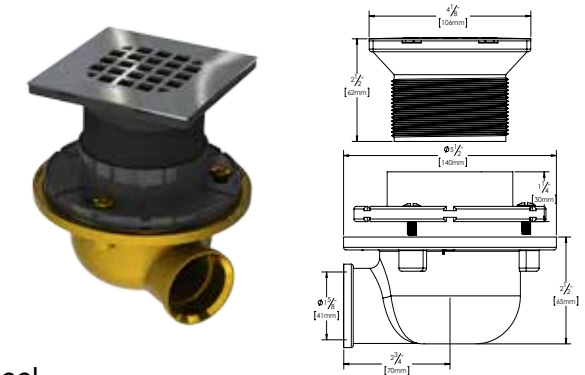


SDB48(-BN) 3pc 1-1/2" Square Brass Side Discharge Shower Drain for use with Shower Pan Liner

Features

- Low profile brass Underbody
- Extra-long ABS square Thread-in Flange for deeper installations
- Reversible ABS Clamping Collar allows for increased adjustability (2-1/4" max)
- 1-1/2" Copper DWV Hub Connection
- 3 solid brass Bolts
- Square 4-1/8" x 4-1/8" Snap-in Polished Stainless Steel (SDB48) or Brushed Nickel (SDB48-BN) Grate

Certification



Finishes



Stainless Steel



BN - PVD Brushed Nickel