



PRODUCT BULLETIN

3145 Series brass to FR-PVC Bath Drain

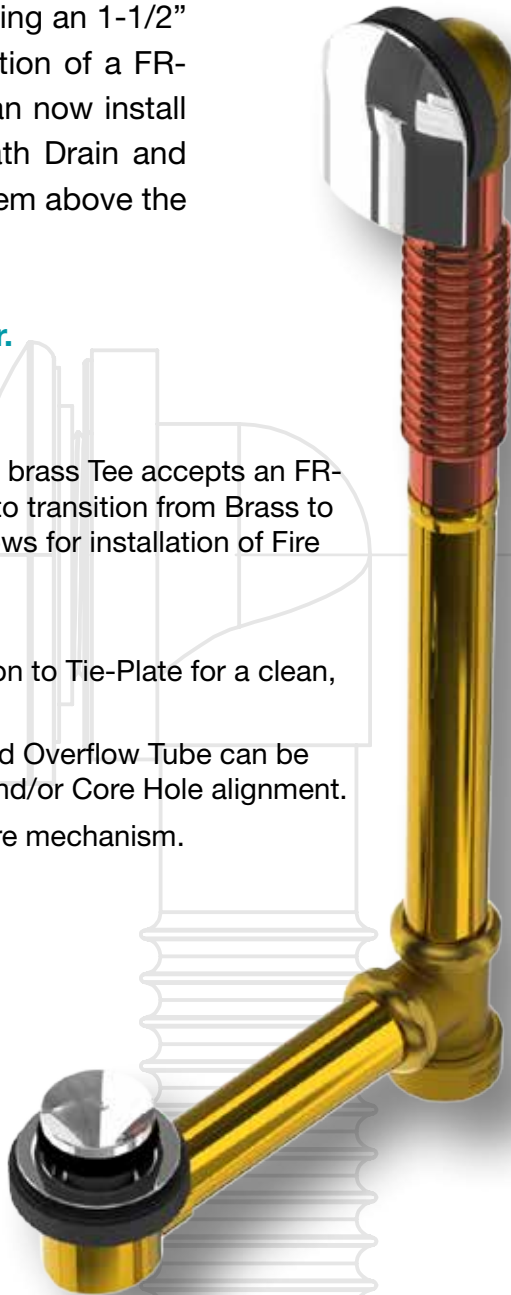
Install our category leading and feature packed brass Bath Drain in an FR-PVC drainage system? No problem!

With it's new brass Tee featuring an 1-1/2" FIP Hub allowing the installation of a FR-PVC Transition Fitting, you can now install our feature packed brass Bath Drain and transition to an FR-PVC* system above the floor.

Your job just got a lot easier.

Features

- Threaded 1-1/2" FIP Hub on brass Tee accepts an FR-PVC Adapter (not included) to transition from Brass to FR-PVC above the floor (allows for installation of Fire Stop).
- Spin-on Tie-Plate.
- SlideOn™ Faceplate slides on to Tie-Plate for a clean, screwless look.
- Perfect Fit flexible corrugated Overflow Tube can be bent to address Tub slope and/or Core Hole alignment.
- Dependable Tip-Toe** closure mechanism.
- CSA Certified.



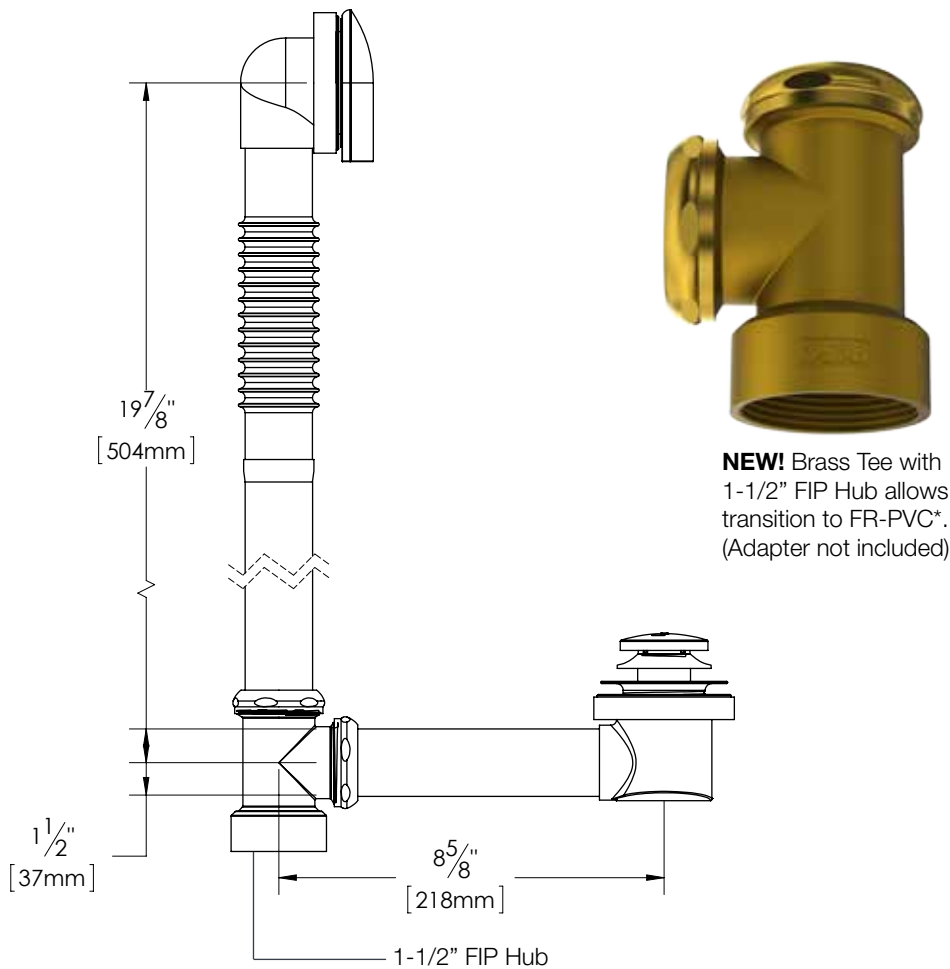
NEW! Brass Tee with 1-1/2" FIP Hub allows transition to FR-PVC. (Adapter not included)

* FR-PVC: Fire Rated PVC

** Other Closures and Finishes may be available. Contact us for availability and pricing.

3145 Series brass to FR-PVC Bath Drain

Spec



NEW! Brass Tee with 1-1/2" FIP Hub allows transition to FR-PVC*. (Adapter not included)

Finish**



(CP)
Chrome
Plated

Certification



* FR-PVC: Fire Rated PVC

** Other Closures and Finishes may be available. Contact us for availability and pricing.