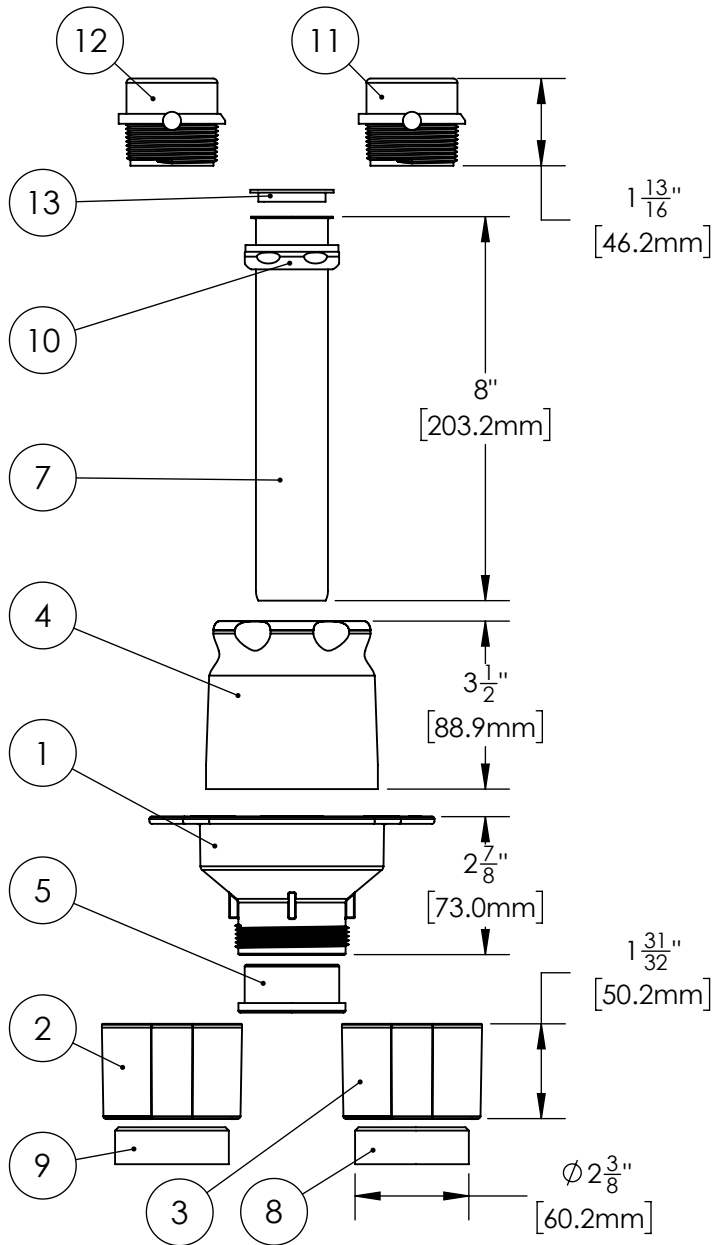




ITD365 TOTAL 1™ ABS/PVC

PRODUCT Specifications



PRODUCT NUMBER:
ITD365

DESCRIPTION:
TOTAL 1™ ABS/PVC
FREESTANDING TUB
DRAIN - 1 PC BODY

CERTIFICATIONS:



Drawn by: DAVID
Date: 2024MAR04
Checked by: KEVIN
Oakville Stamping & Bending Ltd.
Units: Inches
Scale: 1:5 (line drawing)

ITEM NO.	PART NUMBER	DESCRIPTION	MATERIAL	QTY.
1	ITD-BASE	ISLAND TUB DRAIN V3 BASE	ABS	1
2	ITD-NUT-P	ISLAND TUB DRAIN V3 NUT	PVC	1
3	ITD-NUT-A	ISLAND TUB DRAIN V3 NUT	ABS	1
4	ITD-CAP	ISLAND TUB DRAIN V3 TILE CAP	POLYETHYLENE	1
5	4112-V3	ISLAND DRAIN SEAL EPDM V3	EPDM 60 DUROMETER	1
6	ITD-SUP-AP	ITD SUPPLY PACK ABS/PVC		1
7	3812-8RB	1-1/2", 20 GA, 8" L	BRASS	1
8	6310	ABS DWV 2 X 1-1/2" BUSHING	ABS	1
9	5310W	PVC WH DWV 2 X 1-1/2" BUSHING	PVC	1
10	550B-RB	1 1/2" BRASS NUT	BRASS	1
11	6318	1-1/2 ADAPTER SPG X MPT	ABS	1
12	5318W	1-1/2 ADPTR. SPG X MPT,WH-PVC	PVC	1
13	405FP-R	1-1/2" FLANGED WASHER	RUBBER	1



ITD365 TOTAL 1™ ABS/PVC

PRODUCT Specifications

PRODUCT NUMBER:
ITD365

DESCRIPTION:
TOTAL 1™ ABS/PVC
FREESTANDING TUB
DRAIN - 1 PC BODY

CERTIFICATIONS:



Drawn by: DAVID
Date: 2024MAR04
Checked by: KEVIN
Oakville Stamping & Bending Ltd.
Units: Inches
Scale: 2:3 (line drawing)

