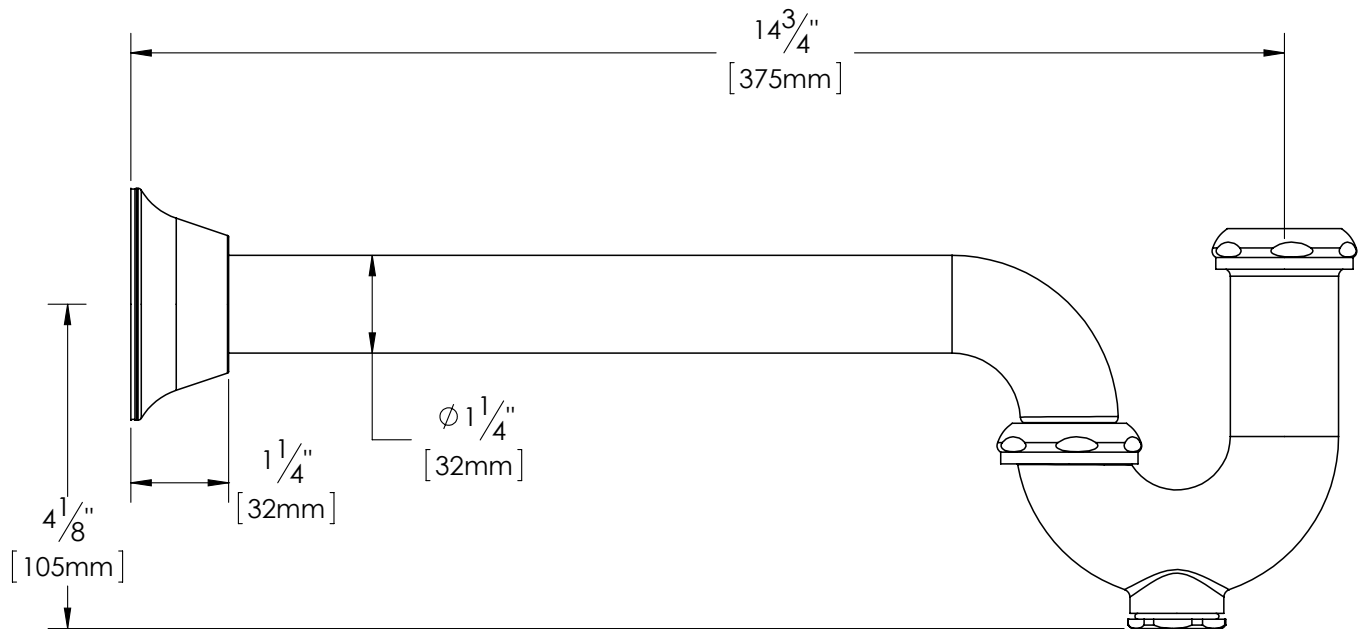


Description:

P-TRAP SHALL BE 1-1/4" GROUND JOINT, CAST BRASS, 20 GAUGE 12" WALLBEND, CHROME FINISH, BRASS NUTS, DEEP BELL FLANGE, WITH CLEANOUT, CERTIFIED BY CSA

Certification



Oakville Stamping and Bending Ltd.

2200 Speers Road. Oakville, ON. Canada. L6L 2X8.

T. 905.827.0320 or toll free 1.877.314.6040 F. 905.827.6375 or toll free 1.877.827.6040.

All rights reserved. OS&B™ reserves the right to change product specifications and material or discontinue models without notice.

www.osb.ca