

# 54DQ-CP

PVC Direct Drain Bath Waste/Overflow

Project Name: \_\_\_\_\_

Project Number: \_\_\_\_\_

Fixture #

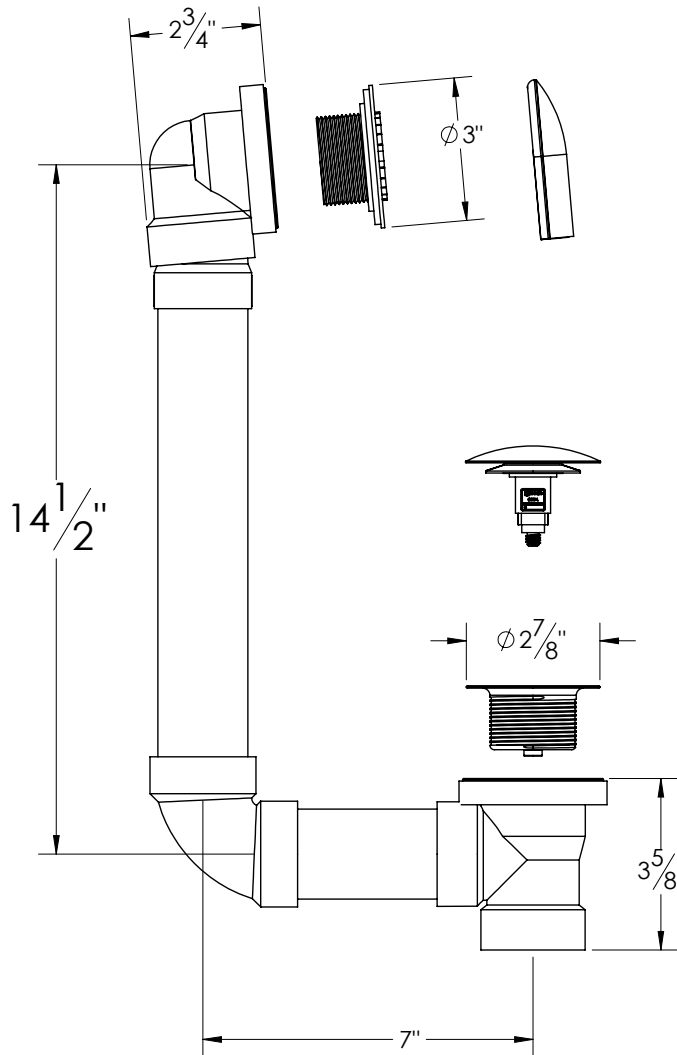
## Description:

PVC Direct Drain style 1-1/2" Testable Bath Waste/Overflow shall feature a spin-on tieplate, angle adapter, SlideOn™ faceplate and Clicker® stopper mechanism.

## Certification\*



\*The "cSAus Meets UPC" mark means the product conforms to the requirements of the NPC, UPC, IPC and IRC.



**Oakville Stamping and Bending Ltd.**

2200 Speers Road, Oakville, ON, Canada. L6L 2X8.

T. 905.827.0320 or toll free 1.877.314.6040 F. 905.827.6375 or toll free 1.877.827.6040.

All rights reserved. OS&B™ reserves the right to change product specifications and material or discontinue models without notice.

**www.osb.ca (Canada) www.osbplumbing.com (USA)**