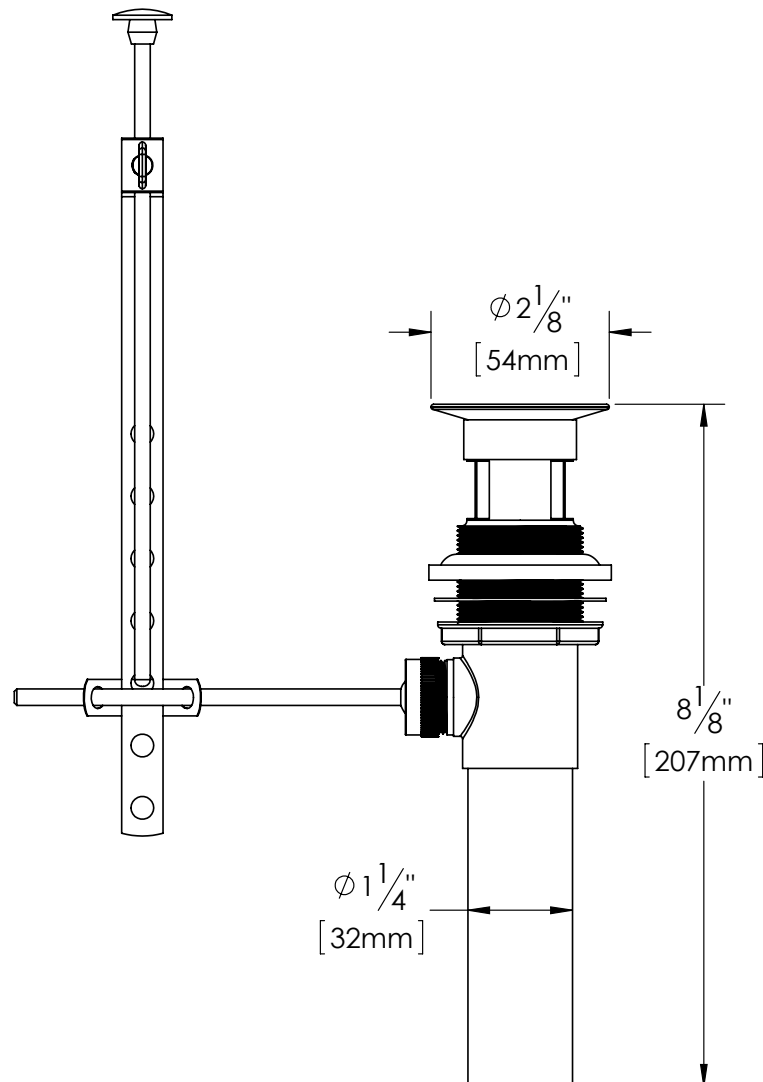


## Description:

LAVATORY DRAIN 3 PC P.O. SHALL BE SUPPLIED WITH MECHANICAL POP-UP, CHROME FINISH, CAST BRASS, 20 GAUGE 1-1/4" X 4" BRASS TAILPIECE, LOCKNUT, HEAVY RUBBER GASKET, CERTIFIED BY CSA

Certification



**Oakville Stamping and Bending Ltd.**

2200 Speers Road, Oakville, ON, Canada. L6L 2X8.

T. 905.827.0320 or toll free 1.877.314.6040 F. 905.827.6375 or toll free 1.877.827.6040.

All rights reserved. OS&B™ reserves the right to change product specifications and material or discontinue models without notice.