



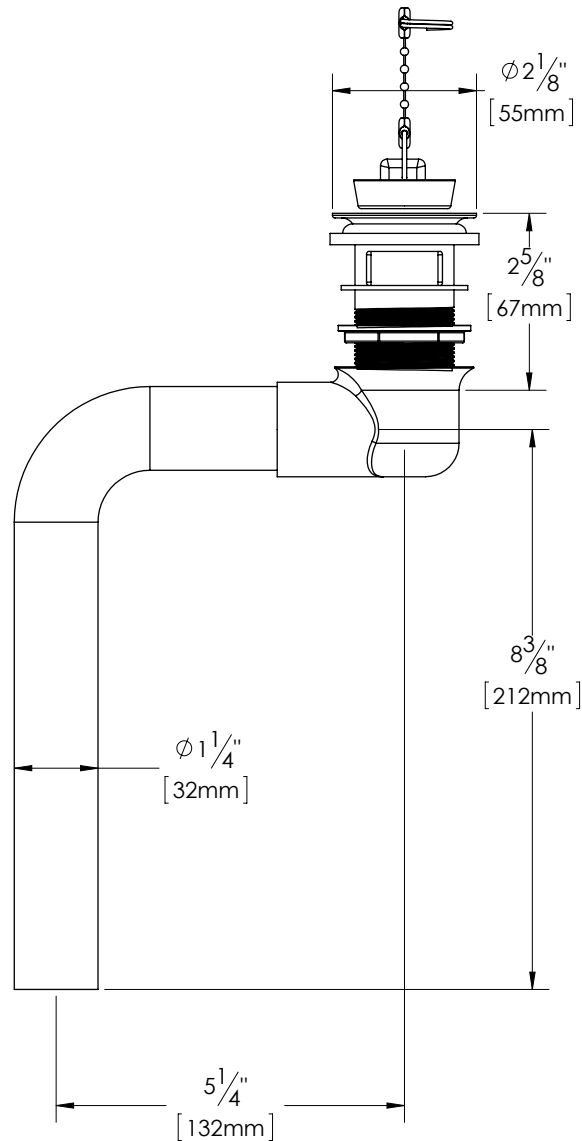
 **3600WC**

**P.O. PLUG - OFFSET**

## Description:

LAVATORY DRAIN P.O. SHALL BE SUPPLIED WITH PLUG & CHAIN STOPPER, CHROME FINISH, CAST BRASS, 17 GAUGE 1-1/4" X 8-3/8" BRASS TAILPIECE, LOCKNUT, HEAVY RUBBER GASKET, CERTIFIED BY CSA

Certification



**Oakville Stamping and Bending Ltd.**

2200 Speers Road, Oakville, ON, Canada. L6L 2X8.

T. 905.827.0320 or toll free 1.877.314.6040 F. 905.827.6375 or toll free 1.877.827.6040.

All rights reserved. OS&B™ reserves the right to change product specifications and material or discontinue models without notice.

[www.osb.ca](http://www.osb.ca)