



# TECHNICAL BULLETIN

## 64D Series Direct Drain Waste & Overflow

SlideOn™ BELL shaped Faceplate

### 1-1/2" ABS Direct Drain style Waste & Overflow.

#### Features

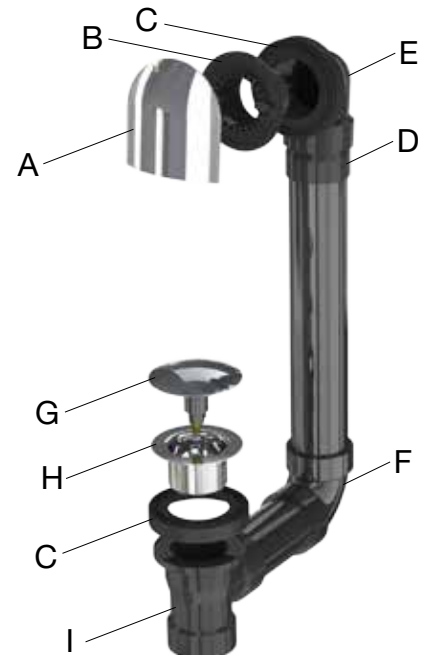
- Patented SlideOn™ BELL shaped Faceplate
- Spin-on Tie Plate
- Angle Adapter for easy adjustability
- Available with a variety of closure mechanisms and in most popular finishes (see back).

#### Certification



#### Maintenance Parts

	ITEM #	DESCRIPTION
A	3270 (FINISH SUFFIX)	FACE PLATE
B	3270TIE	SPIN ON TIE PLATE
C	425	OVERFLOW/WASTE GASKET
D	AA11	ABS ANGLE ADAPTER
E	6316-L	ABS OVERFLOW/WASTE ELBOW
F	6313	ABS DWV ELBOW
G	-	REFER TO CLOSURE MECHANISM TECH. BULL.
H	-	REFER TO CLOSURE MECHANISM TECH. BULL.
I	6317	ABS DIRECT DRAIN WASTE EL



# TECHNICAL BULLETIN

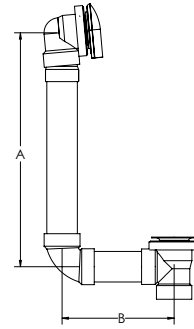
## 64D Series Offset Waste & Overflow

### 1 Closure Suffix (Closure Name)



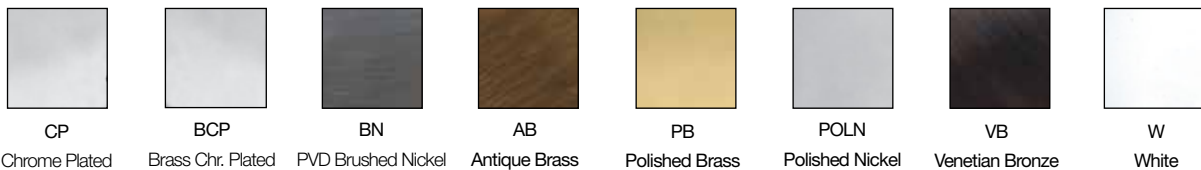
### 2 Size or Kit Suffix

SUFFIX	A	B	NOTE
K	NO PIPE	NO PIPE	FULL KIT. WITH TEE. LESS PIPE.
HK	NO PIPE	NO PIPE	HALF KIT. <b>LESS</b> TEE. LESS PIPE.
NO SUFFIX	11"	4.5"	FITS MOST TUBS UP TO 16" HIGH.
20	17-5/8"	6"	FITS MOST TUBS UP TO 20" HIGH.

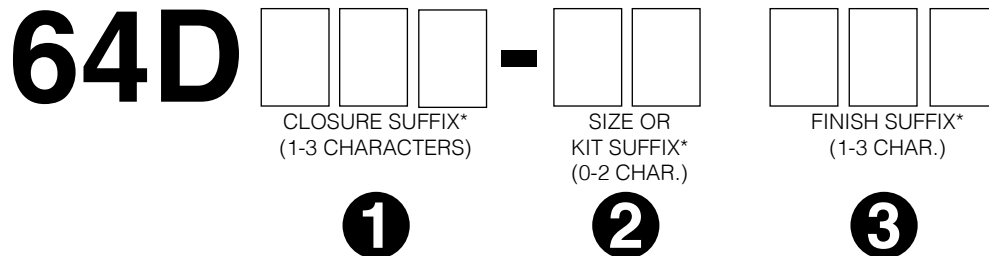


### 3 Finish Suffix - Availability by closure\*\*

CLOSURE	FINISH SUFFIX							
	CP	BCP	BN	AB	PB	POLN	VB	W
Q - Clicker®	√	√	√	√	√	√	√	√
T - Twirl™	√		√					
TIP - Tip Toe	√				√			
L - Lift & Turn	√		√	√	√		√	√
PP - Push Pull	√		√		√			√



Part # Configurator (example: 64DTIP-20CP)



**Oakville Stamping and Bending Ltd.**

T. 905.827.0320 or toll free 1.877.314.6040 F. 905.827.6375 or toll free 1.877.827.6040.

[www.osb.ca](http://www.osb.ca)

\*Refer to Tables, above.

\*\*Other finishes may be available. Call for Availability.